

SCI-EVC2 Vision Controller



Selection Guide

Example: SCI-EVC2-J4220

SCI-EVC2-J4220

- Storage Capacity: 0→no HDD; 1→1TB; 2→2TB
- Camera Connections: 2→2 GigE; 5→5 GigE
- SSD Capacity: 2→64GB; 3→128GB; 4→256GB
- Memory: 4→4GB
- CPU Model: J→J1900; 3→i3-6100T
- Product Name: the 2nd EVC
- OPT Brand

Remarks

1. Standard Model: SCI-EVC2-J4220, SCI-EVC2-34250
2. SCI-EVC2-2, CPU: J1900; SCI-EVC2-5, CPU: I3-6100T

Specifications

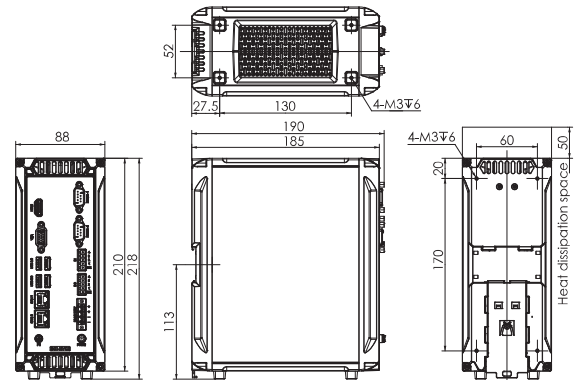
Model	SCI-EVC2-J4220	SCI-EVC2-34250
CPU	J1900	I3-6100T
Ethernet	2	5
Memory	4GB (Upgradable)	
SSD	64GB (Upgradable)	
HDD (Hard Disk Drive)	Upgradable	
Power	24VDC ±10%	
Cooling	Fanless	By smart fan
Display interface	VGA, HDMI	VGA, DP
Serial port	2×RS232	
USB port	2×USB2.0; 2×USB3.0	6×USB2.0; 4×USB3.0
Discrete I/O	4-bit input, 4-bit output	
Operating temperature	-10°C - 55°C (14°F - 131°F)	
Operating humidity	10% - 85%, non-condensing	
Storage temperature/humidity	-40°C - 80°C (-40°F - 176°F); 0 - 80%	

Features

- High performance multi-core CPU
- High throughput SSD (Solid State Drive)
- Supports multiple GigE cameras to acquire images simultaneously
- Multiple interfaces for equipment connection
- Full aluminum housing

Dimensions (mm)

1. SCI-EVC2-J4220



2. SCI-EVC2-34250

