

AOI Lights **OPT-RIA Series**

Patented



Product Features

- Special diffuser designed to improve the uniformity
- Highlight object 3D information by multi-colored (RGB) illumination from various angles

Application Cases

- Soldering inspection of PCB
- Inspection of round objects
- Inspection of objects with varying heights

Selection Guide

OPT-RIA200

- Outer diameter
- AOI light
- Brand name

Spectrum Chart

Note: The data is for reference only.

Section Structure Drawing

Customizable Items

- Color
- Mounting
- Size
- Emitting angle
- Sectional control

Uniformity Chart

Note: The data is for reference only.

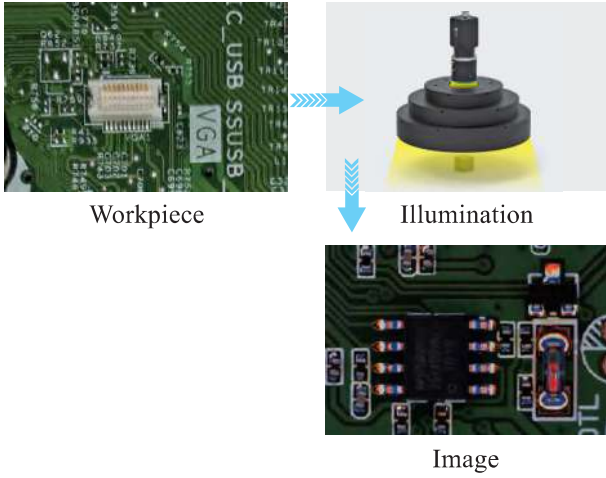
Application Example

- Soldering inspection

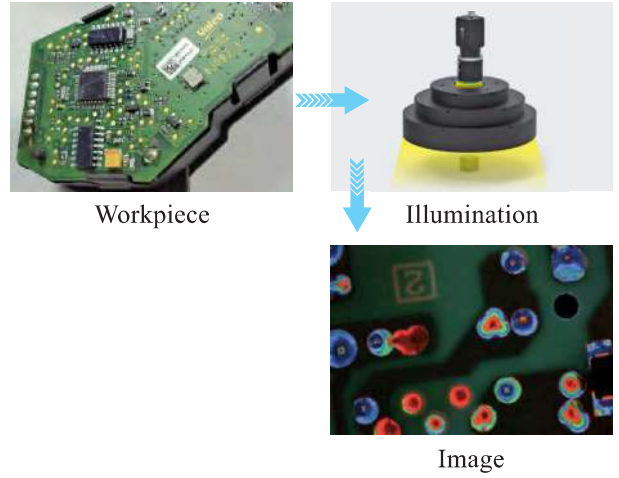
Workpiece → Illumination → Image → SciSmart Analysis Result

Application Examples

■ Solder joints inspection for PCB



■ Solder joints inspection for PCB



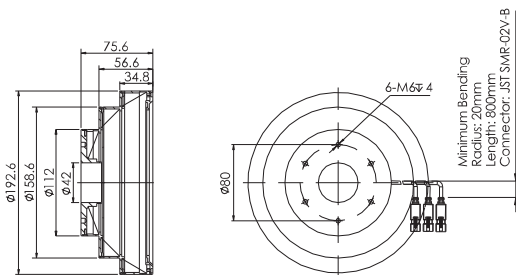
Model Table

No.	Model	* Output	Channels	Recommended controller
1	OPT-RIA200-RGB	24V/31.4W	3	OPT-DPA1024E OPT-DPA2024E
2	OPT-RIA211-RGB	24V/35.4W	3	
3	OPT-RIA250-RGB	24V/50.2W	3	
4	OPT-CO70-RIA211-RGBW	24V/47.6W	4	

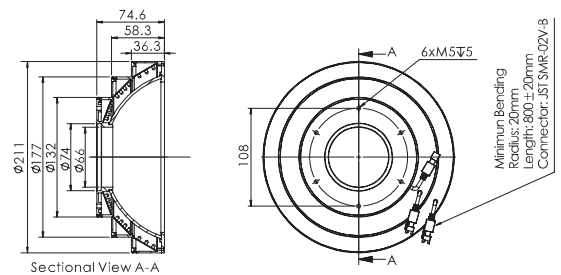
* Note: The data is for reference only.

Dimensions (mm)

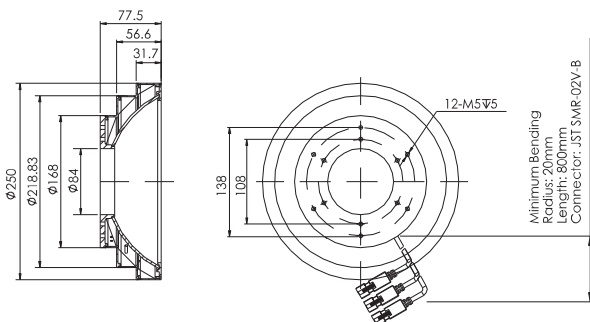
1.OPT-RIA200-RGB



2.OPT-RIA211-RGB



3.OPT-RIA250-RGB



4.OPT-CO70-RIA211-RGB

