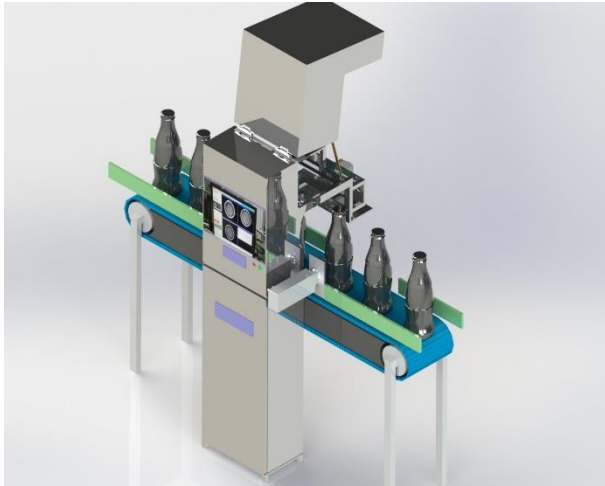
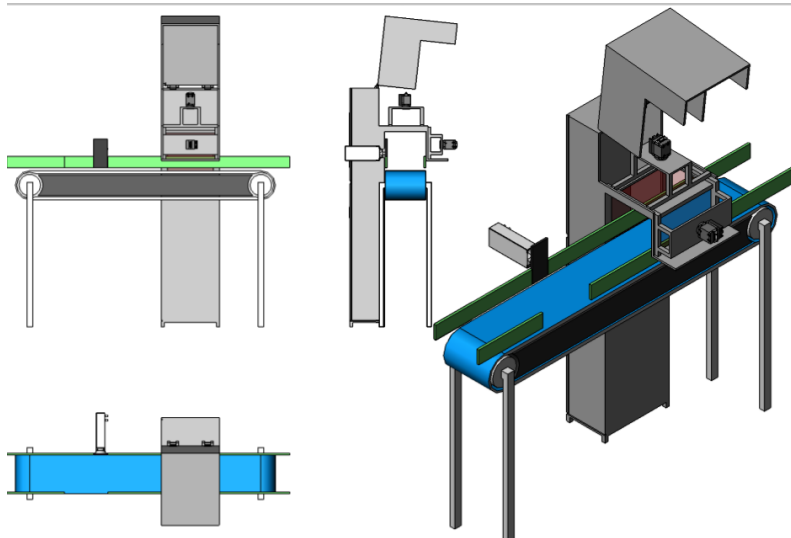


CODE INSPECTOR



Machine features

- Detect code max speed 400 - 1,200 pcs/min. (Base on the resolution of the program.)
- Reject control system with PLC control and High speed encoder.
- Can program the camera through the Internet.



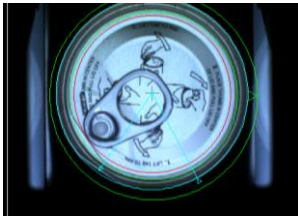
Specification

Camera	High speed camera 120 FPS
PC	Fan less CPU Intel core i7
PLC	Panasonic FPX32
Encoder	Baumer Swiss Encoder hollow shaft Dia:17-27 mm
Setup software	PVWIN200 (Panasonic), VeriSens Application Suite (Baumer)

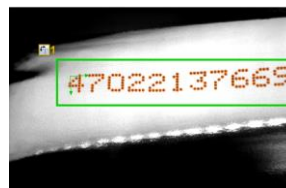
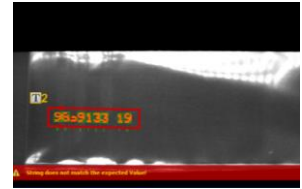
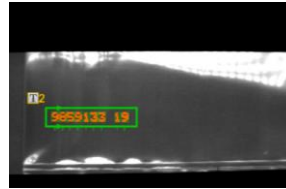
Application Examples

Quality Control Vision System for Inkjet

Presence/Absence



Optical character recognition, OCR



Can be checked in case of overlap or
Code cracked, fuzzy.

Can be checked OCR, Count to digit

Product group

- Bottle
- Label
- Can
- PET
- Box
- Aluminum

Quality Control Vision System for Laser

Presence/Absence

